

HS20-P64Q

Series 20 Programmable Hollow Shaft Encoder

DESCRIPTION

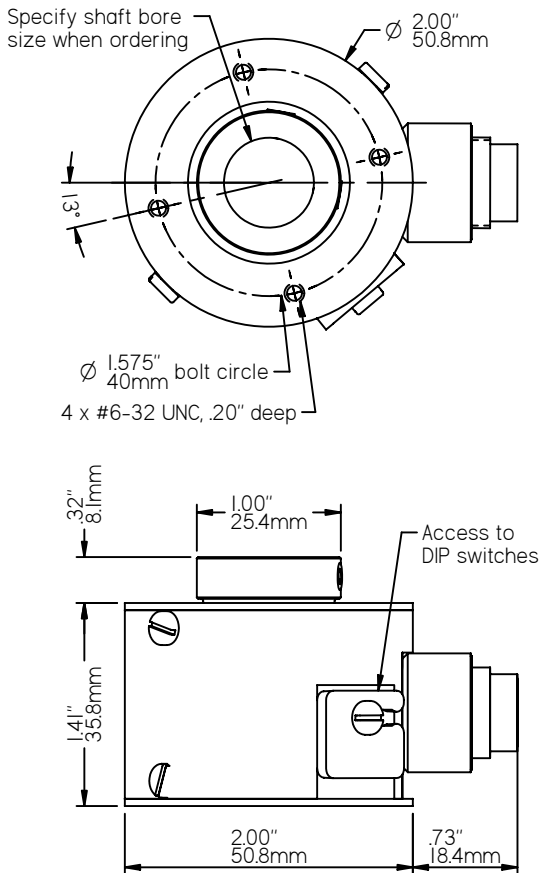
The HS20-P64Q hollow shaft encoder fits onto an existing shaft and converts shaft rotation into A and B square wave output pulses to provide an accurate and reliable means of digitizing position, rate, or length of travel. The number of pulses per each revolution of the shaft is determined by setting configuration switches. Flexible mounting brackets are available to secure the encoder without rigidly mounting it to the machine frame.

FEATURES

- Up to 5/8" or 16mm shaft bore diameter
- Selectable Pulses/Revolution (1ppr to 64ppr)
- ESD / Short Circuit / Reverse Voltage Protected
- Quadrature Outputs (A and B outputs)

DIMENSIONS

(shown with optional connector, 5/8" shaft bore)



SPECIFICATIONS

Mechanical

Shaft Bore: Any up to 5/8", 16mm diameter

Shaft Loading:

- Radial: 30 lbs. / 13.6 kg
- Axial: 20 lbs. / 9.1 kg

A flexible mounting bracket is recommended.

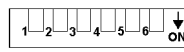
Bearing Life: 44 x 1,000,000/rpm = hours

Materials:

- Case: Aluminum, anodized
- Shaft: 303 Stainless steel
- Switch access door: plastic

Weight: 6.5 - 8.5 oz. (185 - 240 grams)

Configuration Switches



Switch definitions:

- Up (off)
- Down (on)

Pulses per Revolution Selection																	
1	2	3	4	5	6	1	2	3	4	5	6	1	2	3	4	5	6
1	□	□	□	□	□	22	□	□	□	□	□	43	□	□	□	□	□
2	□	□	□	□	■	23	□	□	□	□	□	44	□	□	□	□	□
3	□	□	□	■	□	24	□	□	□	□	□	45	□	□	□	□	□
4	□	□	□	□	□	25	□	□	□	□	□	46	□	□	□	□	□
5	□	□	□	□	□	26	□	□	□	□	□	47	□	□	□	□	□
6	□	□	□	□	□	27	□	□	□	□	□	48	□	□	□	□	□
7	□	□	□	□	□	28	□	□	□	□	□	49	□	□	□	□	□
8	□	□	□	□	□	29	□	□	□	□	□	50	□	□	□	□	□
9	□	□	□	□	□	30	□	□	□	□	□	51	□	□	□	□	□
10	□	□	□	□	□	31	□	□	□	□	□	52	□	□	□	□	□
11	□	□	□	□	□	32	□	□	□	□	□	53	□	□	□	□	□
12	□	□	□	□	□	33	□	□	□	□	□	54	□	□	□	□	□
13	□	□	□	□	□	34	□	□	□	□	□	55	□	□	□	□	□
14	□	□	□	□	□	35	□	□	□	□	□	56	□	□	□	□	□
15	□	□	□	□	□	36	□	□	□	□	□	57	□	□	□	□	□
16	□	□	□	□	□	37	□	□	□	□	□	58	□	□	□	□	□
17	□	□	□	□	□	38	□	□	□	□	□	59	□	□	□	□	□
18	□	□	□	□	□	39	□	□	□	□	□	60	□	□	□	□	□
19	□	□	□	□	□	40	□	□	□	□	□	61	□	□	□	□	□
20	□	□	□	□	□	41	□	□	□	□	□	62	□	□	□	□	□
21	□	□	□	□	□	42	□	□	□	□	□	63	□	□	□	□	□
												64	□	□	□	□	□

Electrical

Supply Voltages (+vdc): (specify when ordering)
5 ± 5% vdc or 8 to 30 vdc

Supply Current: 50 ma max (no load)
100 ma max (line driver)

Output Circuit: (specify when ordering)

Single Ended:

- 7273 open collector (30 VDC max, 50 mA max)
- 7272 Push-Pull (50 mA max source or sink)

Differential Line Driver:

- 7272 differential line driver (output level same as supply voltage)
- RS422 differential line driver (with regulated 5vdc output level)

Operating Temperature: 0° to 70° C

Maximum Operating Speed: 2,500 rpm

Outputs

Quadrature Outputs: Two outputs, A and B, have the selected pulses per revolution.

A leads B by 90° for clockwise rotation viewed from shaft collar end.

Electrical Connections

Open Collector and Push/Pull Outputs:

6-Pin	M12 4-pin	Function	Wire Color
1	3	Common	Black
2	1	+vdc	Red
4	4	Output A	White
5	2	Output B	Green
3, 6		not used	-

6-pin connector is Amphenol T3402000 or equivalent
M12 4-pin is Turck FS4.4/18.25 or equivalent

Differential Line Driver Outputs:

8-Pin	Function	Wire Color
1	Output +A	White
2	Output +B	Green
4	+vdc	Red
5	Common	Black
6	Output -A	Blue
7	Output -B	Brown
3, 8	not used	-

8-pin connector is Amphenol T3506000 or equivalent

MODEL NUMBER

HS20	P64Q				
<u>Model Number</u>	<u>Program Name</u>	<u>Supply Voltage:</u> 5 = 5vdc, 8-30 = 8-30vdc	<u>Output Circuit:</u> leave blank for 7272 Push/Pull, C=7273 open collector, DH=7272 line driver, DL=RS422 line driver	<u>Cable/Connector:</u> leave blank for attached 10' (3meter) cable, S=6 or 8 pin connector, S3=M12 4-pin connector	<u>Modification Number:</u> optional modification or special feature ID. Call or see our website.
<u>Shaft Bore:</u> B = 3/8", .5 = 1/2", .625 = 5/8", M10 = 10mm, M12 = 12mm, M16 = 16mm	Call or see our website for information about other available programs for this encoder model.				<u>Accessories:</u> leave blank for no accessories. Call or see our website for more information.

Example: HS20B-P64Q/8-30DHS - 3/8" shaft bore, P64Q program, 8-30 vdc, 7272 differential line driver output, optional connector (8-pin)



PO Box 25135 Tampa FL 33622-5135, USA
813-886-4000 800-237-0946
tco.com • photocraftencoders.com