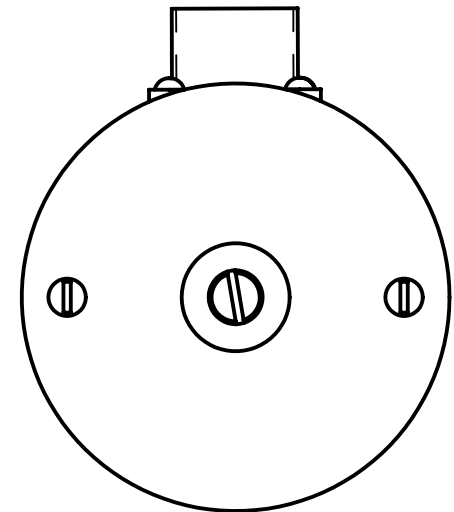
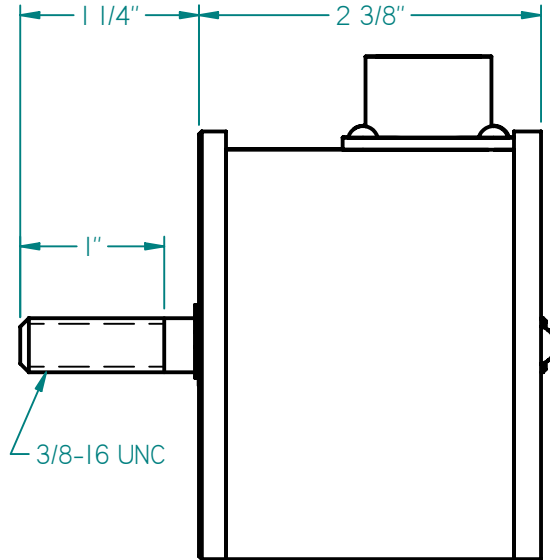
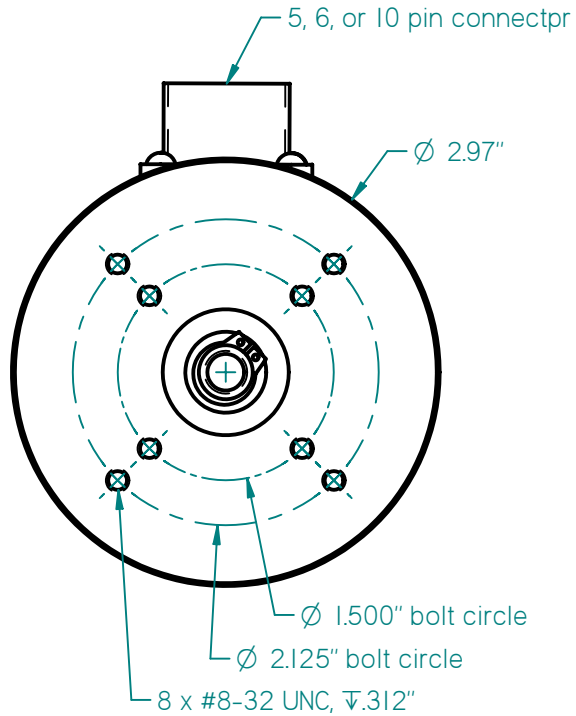


Screw driver slot for tightening the shaft



See the RL or RL-P datasheet for more information

Rev	Description	Date	This information is approved only if it is stamped "APPROVED", signed, and dated.	Tolerances	M174: RL encoder with 3/8-16 threaded shaft		
a	added 2.125" bolt circle	6/2/05	This document is provided for a specific purpose and the disclosed information remains our property. It may not be disclosed, copied, or reproduced, except for the specific purpose, without Photocraft's prior approval. This notice must appear on any copy or reproduction of this document. © 2004, Photocraft Inc.	.XXXX ± .0005 .XXX ± .005 .XX ± .01 .X ± .015 Fractions ± 1/32 Angles ± 15 min Runout ± .003 Unless otherwise specified	By: TRD		Mat'l:
b	1" threaded shaft was 1.25"	2/2/07			Orig. Date: 4/18/05	Finish:	Scale: .75 : 1
c	Rotated 2.125" bolt circle by 45 degrees	10/31/13			Photocraft Inc 602 E. North Street, Elburn IL 60119, USA www.photocraftencoders.com		8A174c