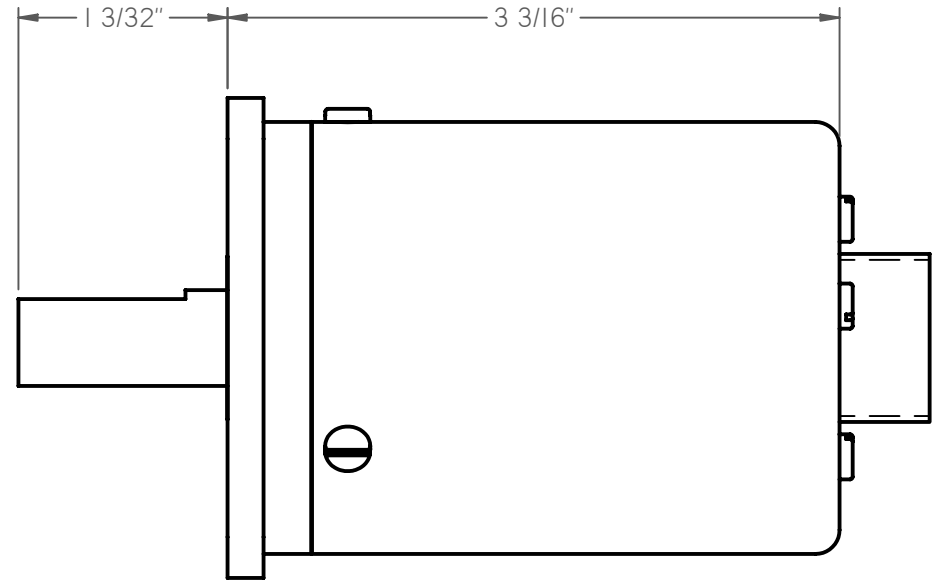
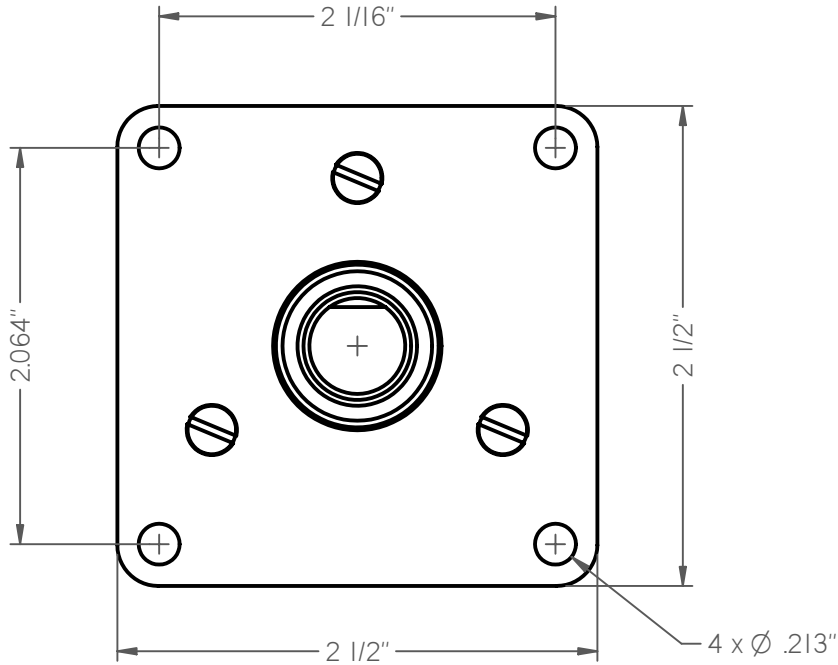


See the RJ datasheet for more information



Rev	Description	Date	This information is approved only if it is stamped "APPROVED", signed, and dated.	Tolerances	M178: RJ encoder with 1/2"D shaft and MB-FL2 adapter		
			This document is provided for a specific purpose and the disclosed information remains our property. It may not be disclosed, copied, or reproduced, except for the specific purpose, without Photocraft's prior approval. This notice must appear on any copy or reproduction of this document.	.XXXX ± .0005 .XXX ± .005 .XX ± .01 .X ± .015	By: TRD	Mat'l:	
			© 2004, Photocraft Inc.	Fractions ± 1/32 Angles ± 15 min Runout ± .003 Unless otherwise specified	Orig. Date: 12/22/04	Finish:	Scale: 1 : 1
					Photocraft Inc 602 E. North Street, Elburn IL 60119, USA www.photocraftencoders.com		8A178